



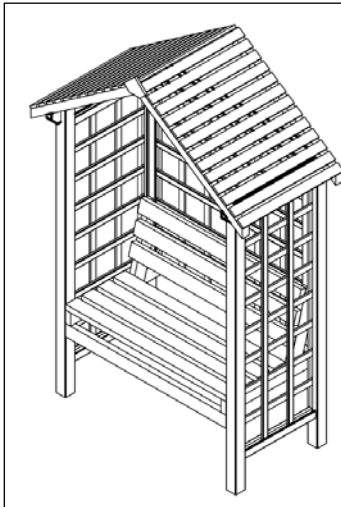
Store More Garden Buildings Ltd.

Edward Merton House, Park Gate Close, Bredbury Park Way, Bredbury Industrial Park,
Stockport, Cheshire. SK6 2SN

Tel: (0161) 430 3347 Fax: (0161) 406 6054 E-mail: Sales@4StoreMore.com
www.shedbaron.co.uk



CASSANDRA ARBOUR ASSEMBLY INSTRUCTIONS



Please ensure that you check all component parts for quantity and quality before you commence building the product. If there are any missing parts, please contact the sales company immediately.

Timber is a natural product. It will shrink and swell as a result of varying moisture content.

This product has been pressure treated to ensure protection against all weather conditions. Annual cleaning and re-treatment with a timber preservative will help to prolong the life of the product.

A power drill/screwdriver plus tape measure will be required to assemble this product.

NB. It is recommended that pilot holes are pre drilled where necessary before screws are fixed. This reduces the risk of splitting of timber.

Screw fixings supplied

- 14 x 25mm screws
- 8 x 50mm screws
- 16 x 70mm screws
- 4 x 90mm screws
- 4 x 6mm screw caps
- 2 x metal roof brace plates

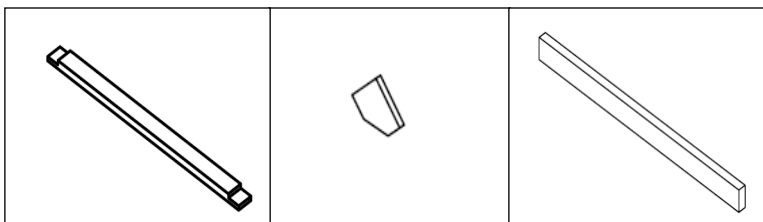
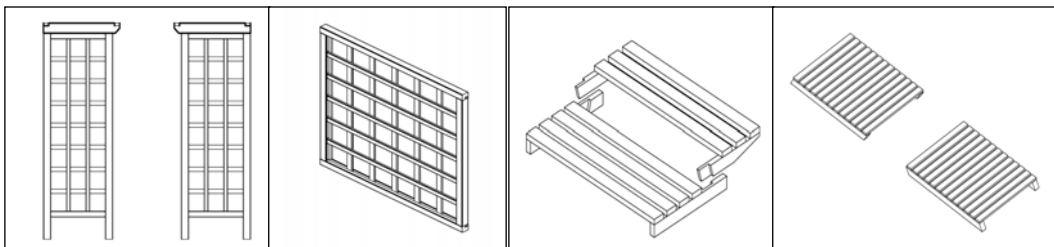
Component supply.

2 x side panels

1x back panel

1 x seat base + 1 x seat back

2 x roof panels

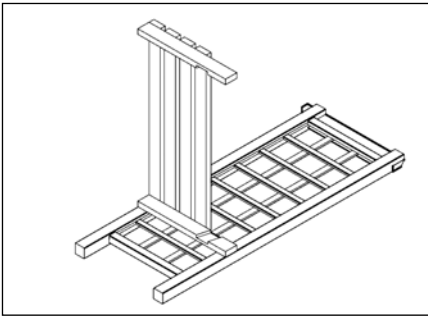


1 x top back support

1 x finial

1 x bottom front support

Stage 1.



Secure the seat base to side panel at 380mm from end of post to bottom of seat support.

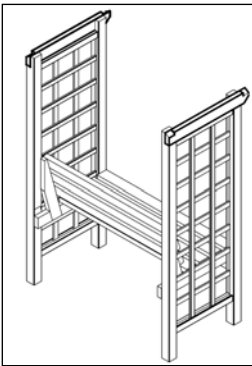
Use 4 x 70mm screws, 2 at each end.

Ensure that top rafter is facing outside of assembly.

Fix second side panel in similar manner.

Use 4 x 70mm screws , 2 at each end.

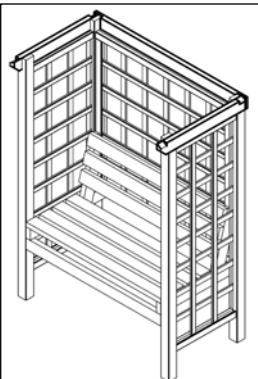
Stage 2.



Stand arbour upright and fix seat back into angled slots provided in seat base support.

Use 2 x 25mm screws for each side to secure seat back into angled joint with seat base.

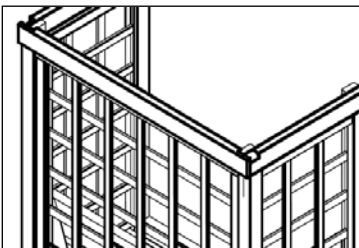
Stage 3.



Fit back trellis panel by placing on the horizontal seat support and then fixing into corner posts with 2 x 50mm screws on each side.

Secure the seat back support by screwing two 70mm Screws through the back trellis panel frame (one each Side) into the seat support .

Stage 4.

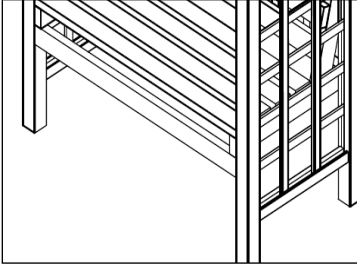


Fix horizontal top back support to post,

Flush with top of posts using

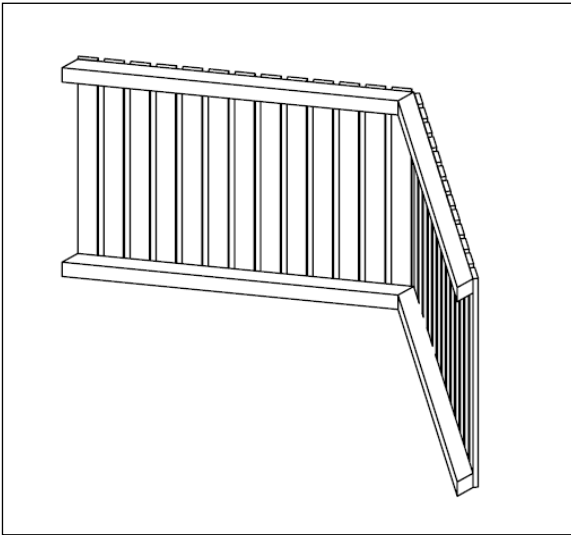
4 x 50mm screws, 2 at each end.

Stage 5.



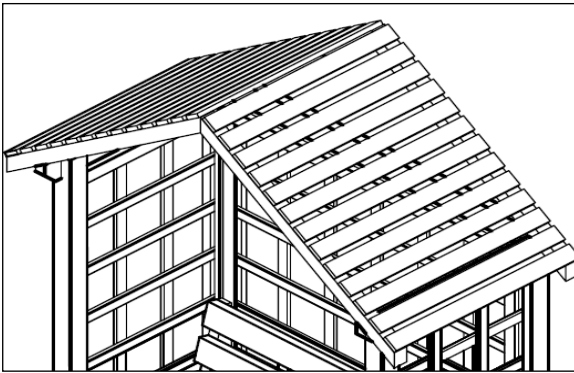
Fix lower horizontal bottom front support between posts and secure through posts with 4 x 90mm screws and screw caps (2 per side).

Stage 6.



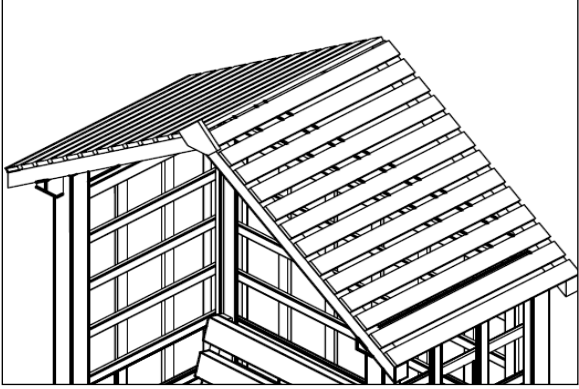
Place the two roof sections together. Secure the roof sections with 2 x 70mm screws ensuring the screws locate into the framing of the roof panel. Fix metal braces to inside of roof join With 4 x 25mm screws each side.

Stage 7.



Lift the assembled roof sections into position. The roof should be flush with the back of the arbour. Secure the roof in place using 1 x 70mm screw placed through each corner into the posts of the arbour

Stage 8.



Secure the finial to cover the joint of the roof sections at the front of the arbour using 2 x 25mm screws.

A 'GARDEN TECHNOLOGY' PRODUCT FROM ESTONIA.
TIMBER SUPPLIED FROM SUSTAINABLE FOREST RESOURCES.