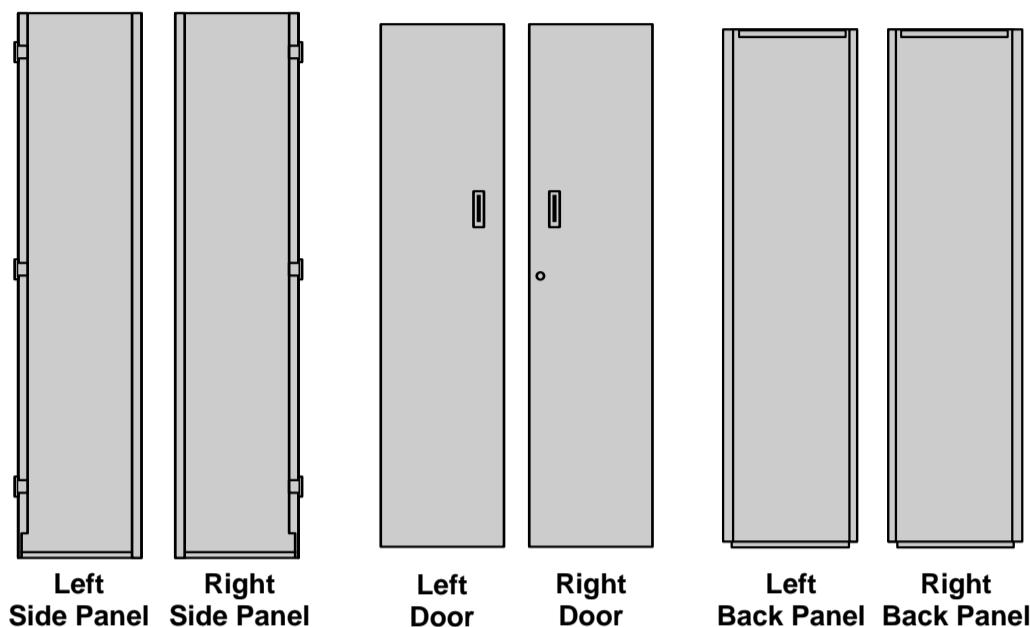


# 2 Door Powder Coated Cabinet

## ASSEMBLY INSTRUCTIONS

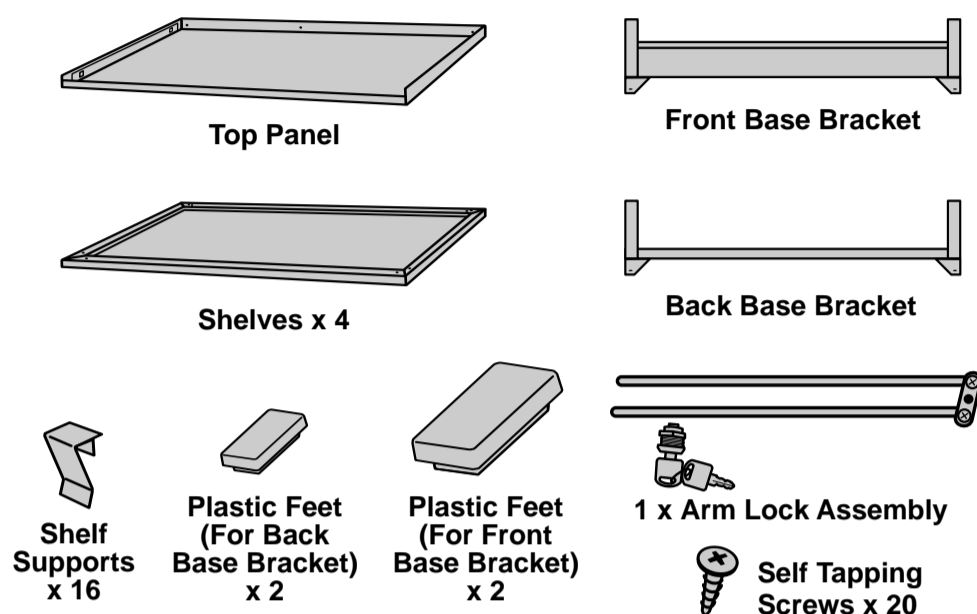
Assembled size  
1680mm H x 760mm W x 380mm D

### LIST OF PARTS



### TOOLS REQUIRED

You only need a Phillips head screwdriver, and multi-grips or adjustable spanner



### WARNING

- CHOKING HAZARD - This product contains small parts.
- Handle cut metal edges carefully

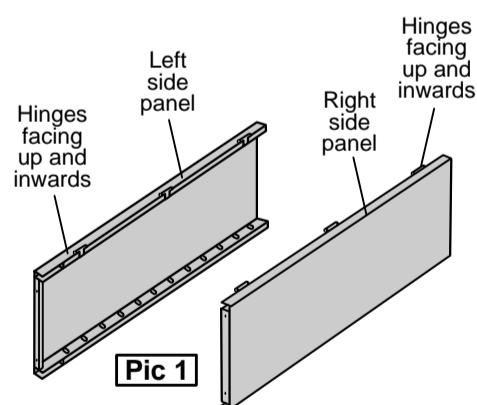
### Safety Instructions

Always use caution whilst handling and assembling metal parts, as some edges or corners may be sharp.  
Always place heavy items on the lower shelves.  
We highly recommend you DO NOT store loose or heavy items on the top of this unit.

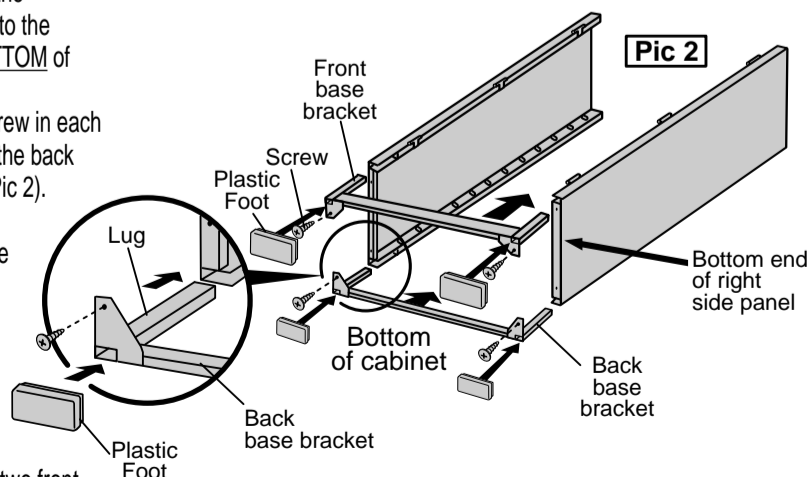
### Helpful Hints

- Important: Before commencement of assembly, carefully read and study the instructions and ensure all components are enclosed.
- A second person is recommended for the assembling process. This can make the task a little easier.
- A clean flat surface is highly recommended for the assembly process.
- Ensure the unit is square prior to tightening the screws.
- For a clean finish, wipe down the unit with a soft cloth using a mild soap and water.

- 1** Stand the left side panel and the right side panel on their edges as shown, with their hinges facing up and inwards (See Pic 1).



- 2** Fit the **BACK** base bracket to the two side panels by inserting the lugs on each end of the back base bracket into the two holes at the **BOTTOM** of the side panels. Secure using one screw in each hole at both ends of the back base bracket. (See Pic 2).



Repeat the procedure to fit the front base bracket to the two holes at the top of the side panels (See Pic 2).

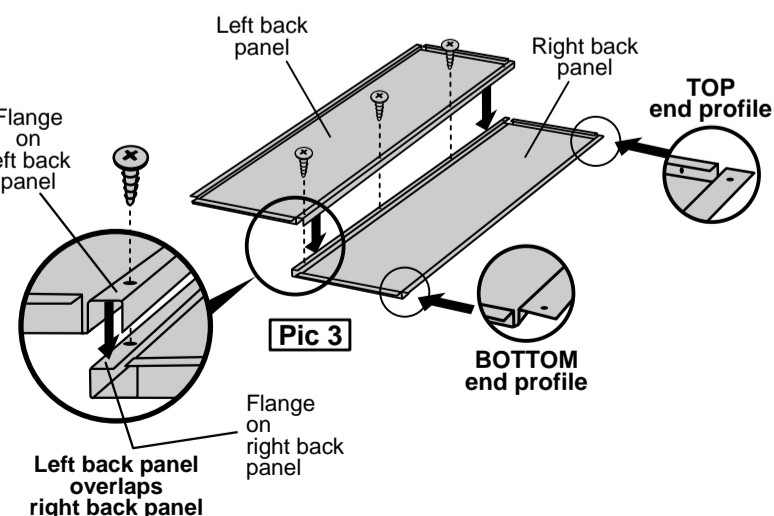
- 2A** Fit the two back and two front plastic feet to the underside of the back and front base brackets. (See Pic 2).

- 3** Working on the floor, fit the two back panels together by slotting the flange on the **LEFT** back panel over the flange of the **RIGHT** back panel. (See Pic 3)

#### IMPORTANT:

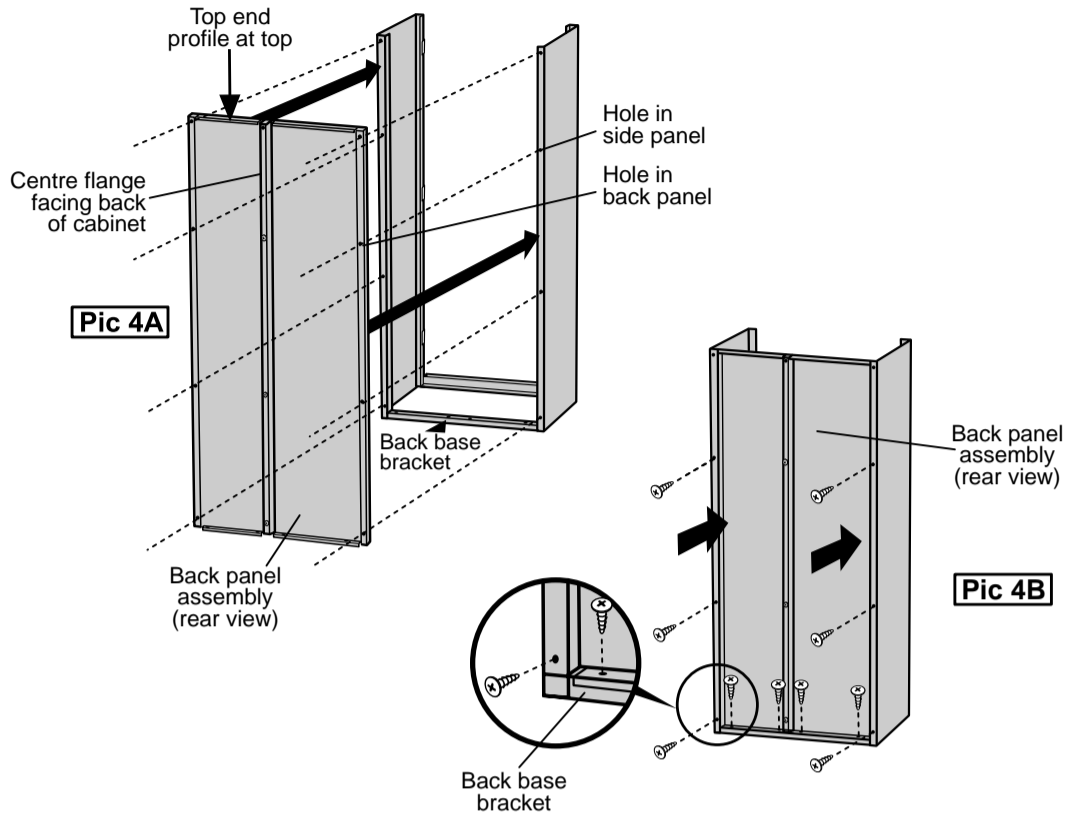
Ensure the top and bottom end profiles of both back panels are matching. (See Pic 3)

Secure using three screws along the flange, in positions shown. (See Pic 3)

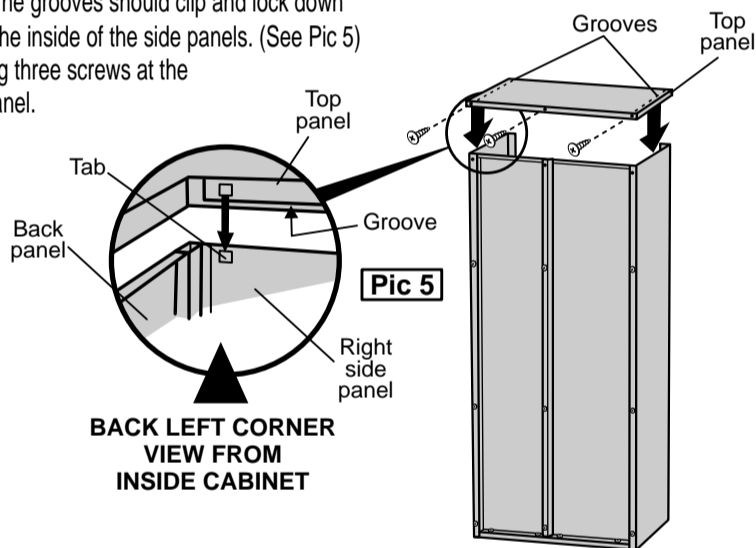


**4** Stand the cabinet upright, with the **BACK** base bracket facing you.

Attach the back panel assembly, with the **TOP** end profile at the **TOP**, and the centre flange **FACING THE BACK** of the cabinet, by lining up the holes in the back panels with the holes in the side panels and secure using ten screws.  
(See Pics 4A & 4B)



**5** Attach the top panel by slotting the grooves under the sides of the top panel, over the top edges of the side panels.  
**IMPORTANT:** The grooves should clip and lock down over the tabs on the inside of the side panels. (See Pic 5)  
Then secure using three screws at the back of the top panel.

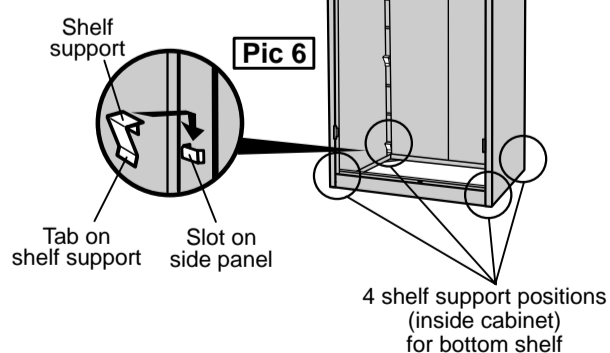


**6** Turn the cabinet around so that the front is facing you.

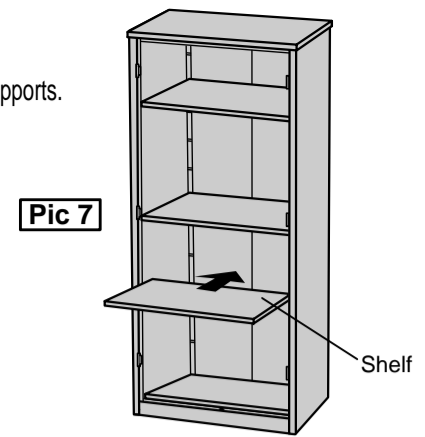
Attach four shelf supports for the bottom shelf by sliding the tab on each shelf support into the **BOTTOM** slots on the side panels. (See Pic 6)

Attach shelf supports for the other three shelves at your chosen levels.  
(Four shelf supports per shelf).

**IMPORTANT:**  
Make sure each set of four shelf supports are at the same level.



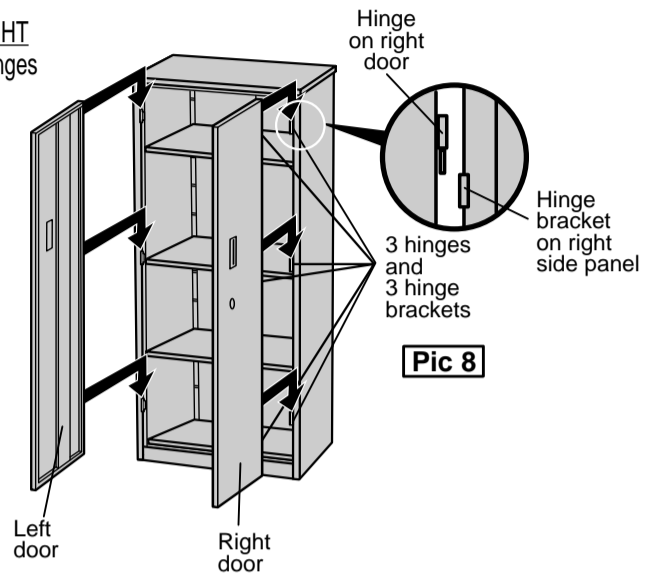
**7** Fit the four shelves to the shelf supports.  
(See Pic 7)



**8** Attach the **RIGHT** door to the **RIGHT** side panel by slotting the three hinges on the right door into the three hinge brackets on the right side panel.

**IMPORTANT:**  
All three hinges are to be slotted into the hinge brackets at the same time.  
(See Pic 8)

Repeat the procedure to attach the left door to the left side panel.  
(See Pic 8)



**9** Fit the lock and arm assembly to the inside of the **RIGHT** door:

**A** Insert the lock bolt through the hole in the door (with key slot facing the **OUTSIDE** of the door) and secure the centre locking nut using an adjustable spanner or multi-grips.  
(See Pic 9A).

**B** Open out the lock arm assembly as shown. (See Pic 9B) and insert the top and bottom lock arms into the slots at the top and bottom of the inside of the door. (See Pic 9C).

**C** Fit the centre coupling to the lock assembly, securing with the screw provided. (See Pic 9D).

**D** Once arm lock assembly is fitted, check to ensure lock arms operate correctly when the key is turned in the locked and unlocked positions.

